

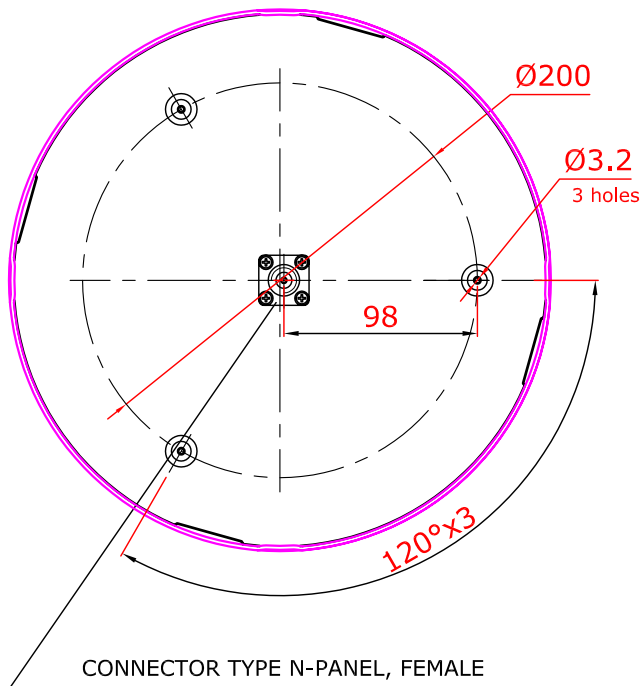
# Installation Layout

## Multi Band Omni Antenna

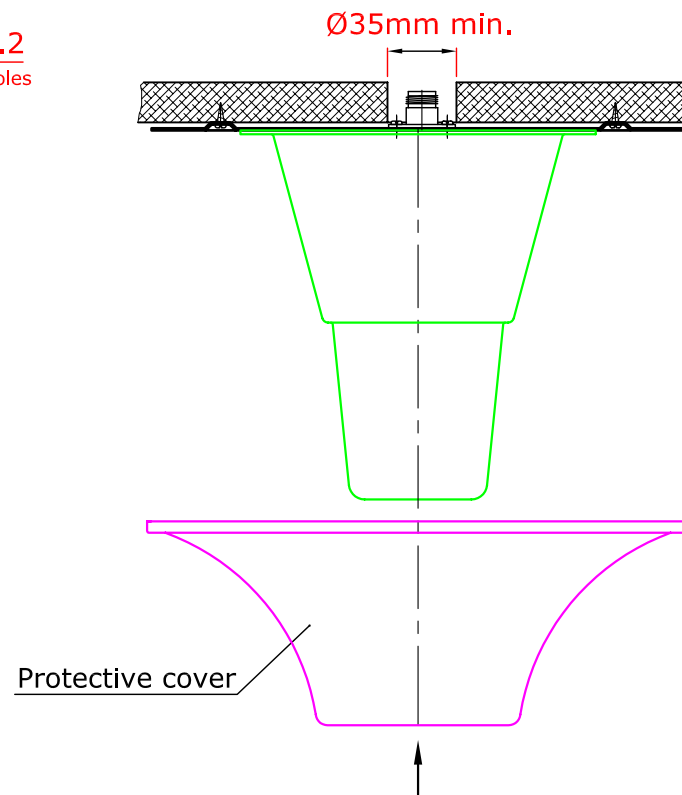
MA-CQ26-1X(T) / MA-CQ27-1X(T)

Rev. 2

### ANTENNAS BOTTOM VIEW

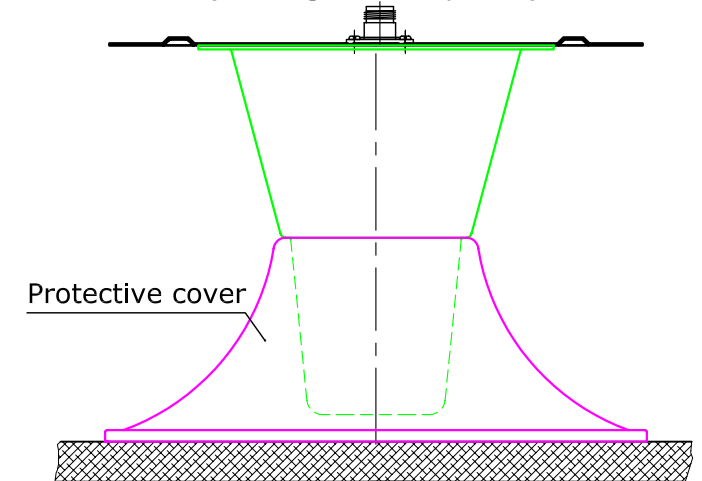


### BELOW CEILING MOUNTING



1. Open a hole  $\text{Ø}35\text{mm}$  in the ceiling plate
2. Remove the protective cover by slightly rotating it
3. Mount the antenna in place with 3 screw (not supplied)
4. Replace the protective cover

### ABOVE CEILING PLACEMENT (Bolting Not Required)

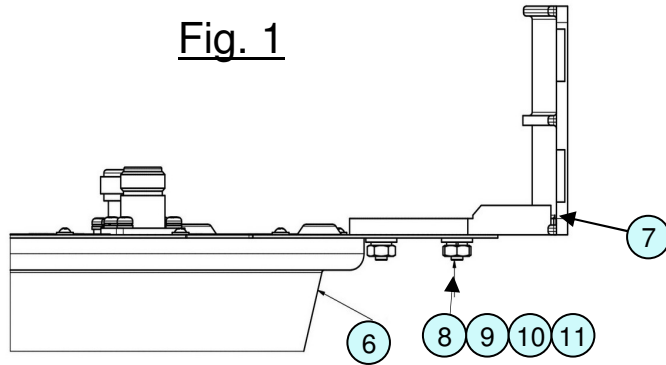


1. Remove the protective cover by slightly rotating it
2. Place the protective cover on top of the ceiling panel (on the inside)-as shown
3. Place the antenna on the protective cover, connect the cable and secure it

# MA-WOLTE-DP1R, MA-CQ27-1XR, MA-CQ26-1XRT

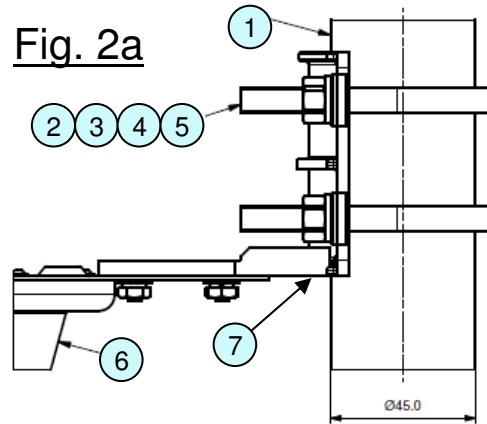
## MOUNTING INSTRUCTIONS

**Fig. 1**

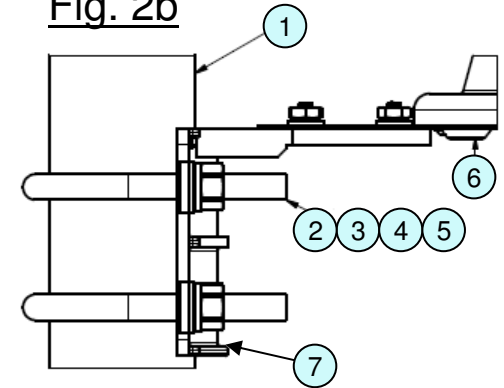


1. Fasten Mount item 7 to Antenna item 6 using items 8, 9, 10, 11 as shown on Fig 1.  
Close screws item 8 with Nuts item 11 at a torque of 19 - 21 kg·cm (1.9-2.1 Nm; 16.5-18.2 lb·inch).
2. Put Mount item 7 onto Pole item 1 as shown on Fig 2a or Fig 2b suitable for customer needs.

**Fig. 2a**

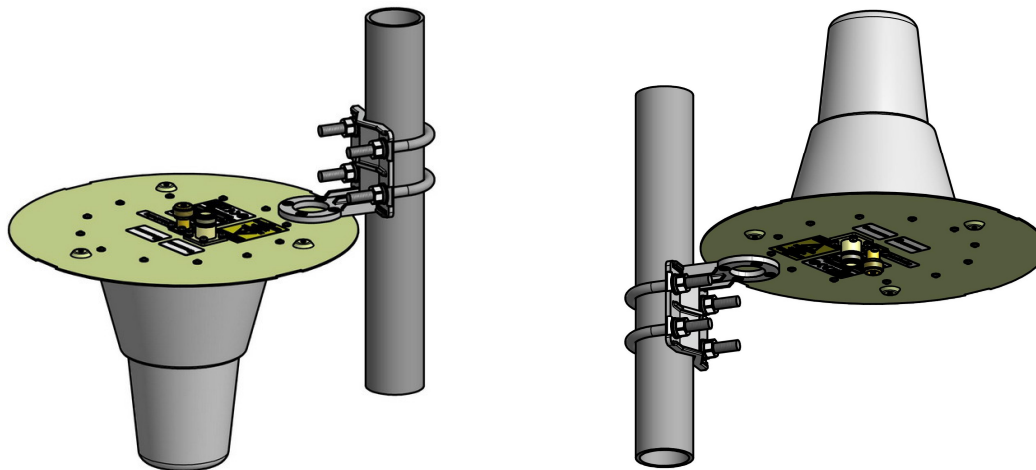


**Fig. 2b**



3. Insert U-bolts item 2 into holes in Mount item 7 so U-bolts cover the Pole.
4. Fasten Antenna with Mount on the Pole using items 2, 3, 4, 5
5. Adjust desirable direction & height for Antenna.  
Close U-bolts item 2 with Nuts item 5 at a torque of 184-204 kg·cm (18-20 Nm; 159-177 lb·inch).

**Fig .3.** Two Options Of The Antenna Mounting



Parts List		
ITEM	QTY	DESCRIPTION
1	1	Pole (not supplied)
2	2	U-Bolt M8x85x57x40
3	4	Flat Washer M8 DIN 125 / ISO 7090
4	4	Lock Washer M8 DIN 127
5	4	Hex Nut M8 DIN 934 / ISO 4032
6	1	Antenna
7	1	MOUNT
8	4	8-32 UNC x 0.5 Phillips Flat Head Screw
9	4	Type Plain Washer #8
10	4	Helical Spring Lock Washer #8
11	4	Hex Nut #8