

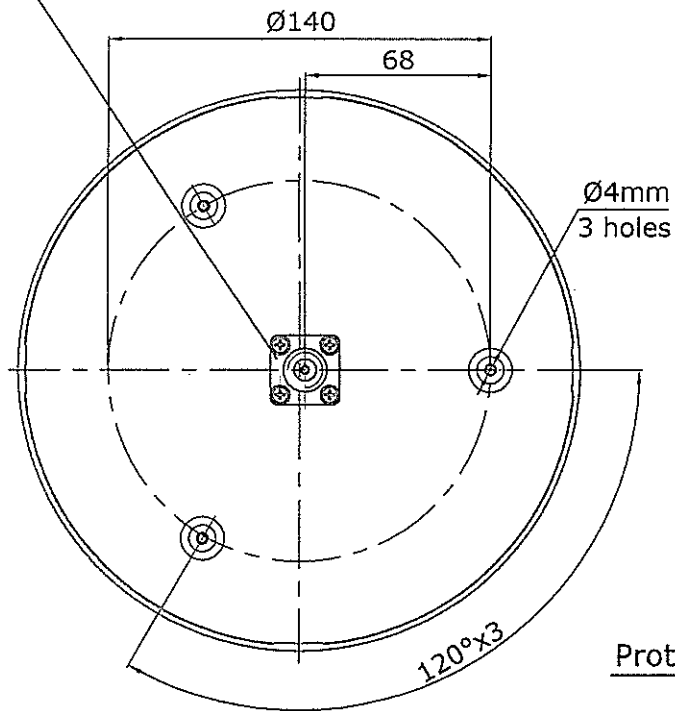
## Installation Layout

### Multi Band Omni Antenna

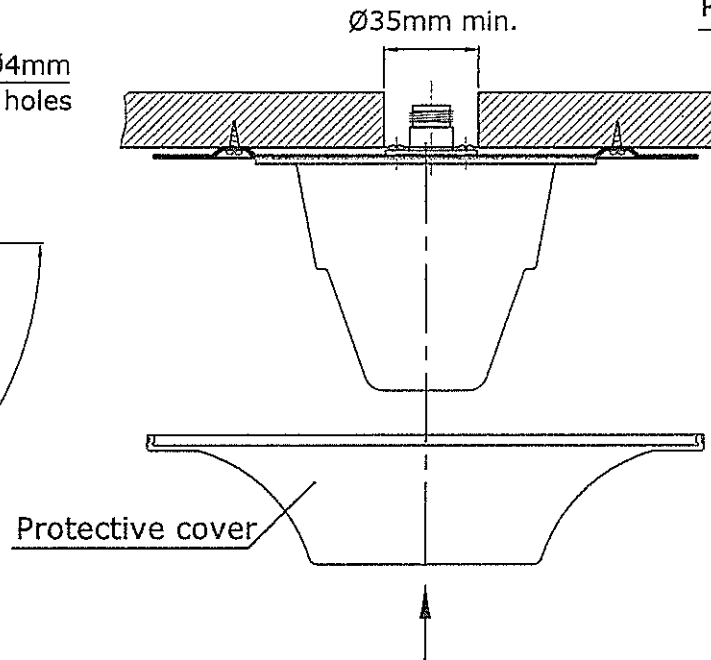
MA-CR26-2X/ MA-CR26-2XT/ MA-CM36-15/ MA-CM36-15T/ MA082550/ MA082550T

#### ANTENNAS BOTTOM VIEW

CONNECTOR TYPE N-PANEL, FEMALE

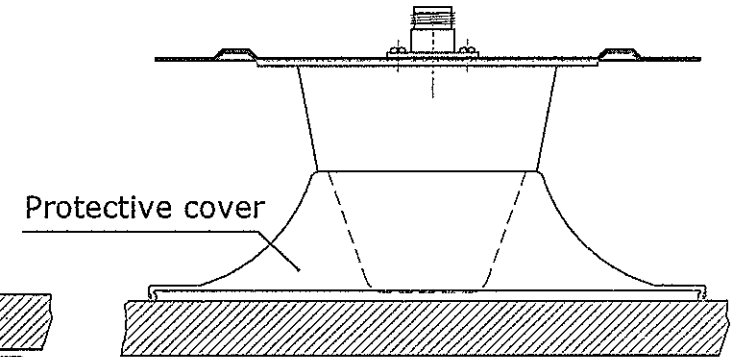


#### BELOW CEILING MOUNTING



1. Open a hole  $\text{Ø}35\text{mm}$  in the ceiling plate
2. Remove the protective cover by slightly rotating it
3. Mount the antenna in place with 3 screw (not supplied)
4. Replace the protective cover

#### ABOVE CEILING PLACEMENT (Bolting Not Required)

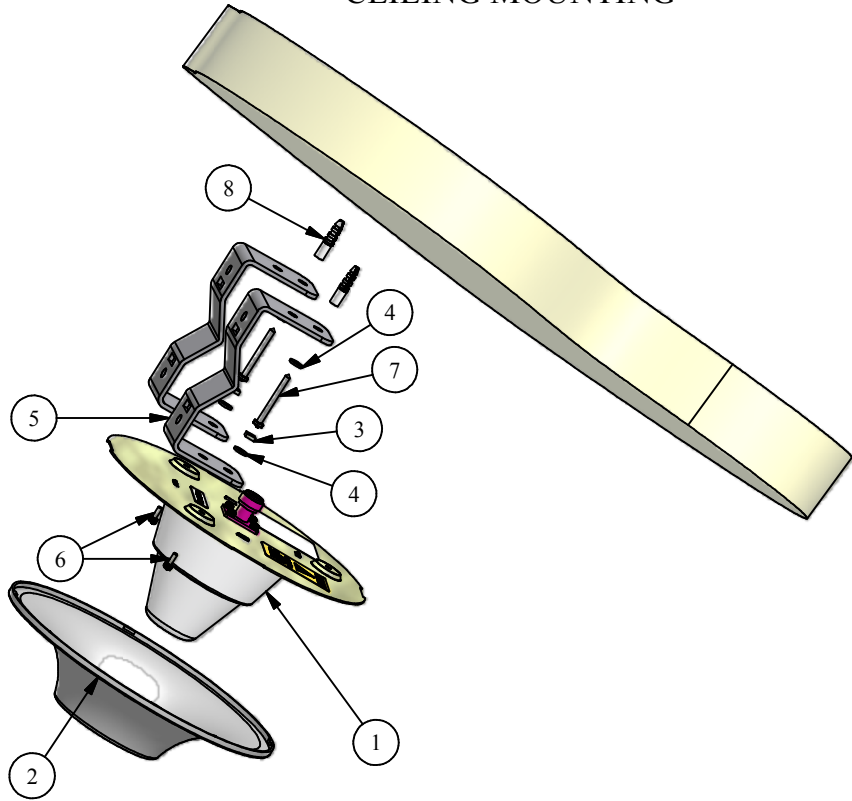


1. Remove the protective cover by slightly rotating it
2. Place the protective cover on top of the ceiling panel (on the inside)-as shown
3. Place the antenna on the protective cover, connect the cable and secure it

## CEILING MOUNTING

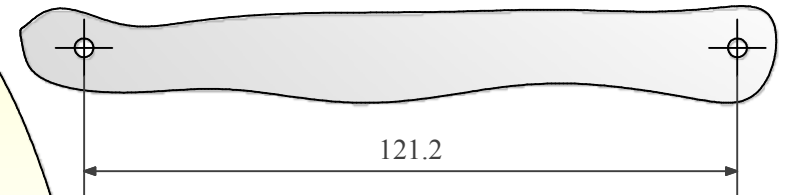
# Wall /CEILING Mounting Instruction

1. Drill in the Wall /Celing 2 Holes  $\varnothing 6 \times 29\text{mm}$  for Plastic Inserts item No.8 using the provided drilling templet.
2. Place the Plastic Inserts into Holes.
3. Fit bracing hole of item.5 to hole in plastic insert.
4. Tighten item No.5 to Plastic Insert with items No.4,7.
5. Repeat No.3 & 4 for second item No.5.
6. Remove item No.2 by slightly rotating it.
7. Fit screw hole boss of Antenna item No.1 to hole in plastic.
8. Tighten Antenna to Plastic Inserts with items No.3, 4 & 6.
9. Repeat No.6 & 7 for second hole in plastic.
10. Replace item No.2.
11. Connect cable (not supplied) to the antenna.



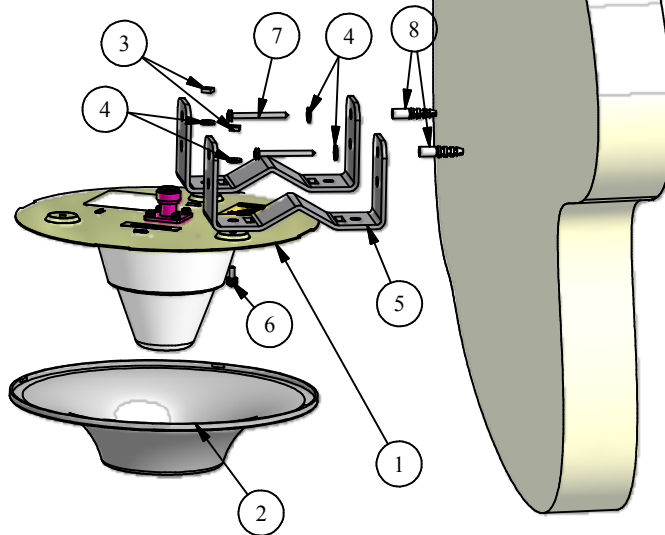
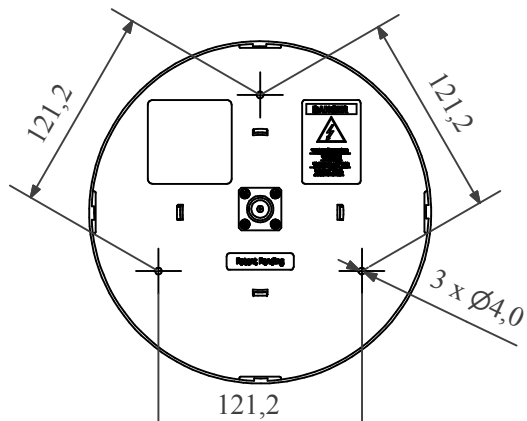
## WALL MOUNTING

## BRACING HOLES COORDINATES



MNT-CEWL for antenna MA-CR26-2X  
 MA-CR26-2XT MA-CR26-2XRFS  
 MA-CM36-15

## ANTENNAS BOTTOM VIEW



Parts List		
ITEM	QTY	DESCRIPTION
1	1	ANTENNA
2	1	PROTECTIVE COVER
3	2	NUT 4-40
4	4	Plain Washer #6
5	2	MNT-5-2
6	2	Phillips Pan Head Screw NC 6-32x 3/8" + 2 WASHERS
7	2	Phillips Pan Head Tap. Screw 3 x 30mm
8	2	Plastic Wall Insert dia. 6 x 29