

MA-WOLTE-3M1N & MA-WOLTE-DP2 Mounting Instructions.

Fig .1

1. CUT IN THE CENTER OF A CEILING TILE
A ROUND HOLE Ø230 mm.

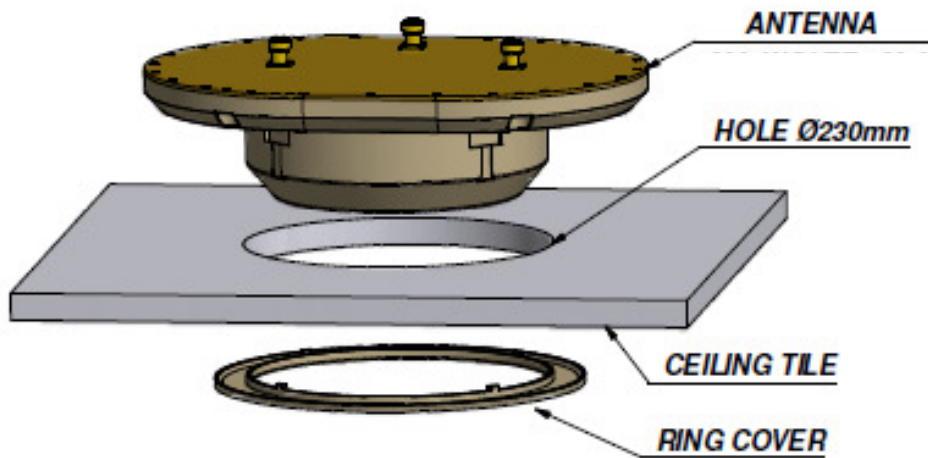
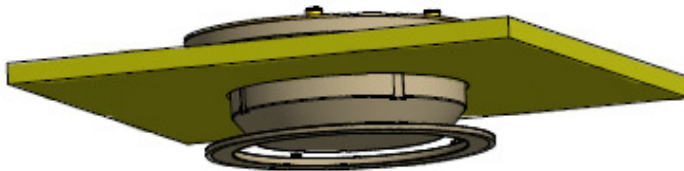


Fig .2

2. INSERT ANTENNA INTO THE HOLE SO THAT ITS BASE
WILL LAY ON THE EDGES OF THE CUT HOLE.



CAUTION:

1. USE TRAINED AND CERTIFIED INSTALLER
FOR ANTENNA INSTALLATION.
2. DO NOT PLACE THE ANTENNA NEAR ELECTRICAL
CABLE OR POWER SUPPLY SOURCES.
3. BE SURE THAT A CEILING TILE IS HOLDING
THE ANTENNA WEIGHT.
4. OBSERVE CAREFULLY THE LOCAL REGULATION
FOR SUCH INSTALLATION

PUT THE RING ON THE ANTENNA SO, THAT RINGS
INTERNAL PROTRUSIONS GOT INTO ANTENNAS
ADOME EXTERNAL GROOVES.

THE FINAL RING POSITION SHOULD BE TIGHT TO THE
TILE.

5. TURN SLIGHTLY (to stop) THE RING.
6. CONNECT THE CABLE ACCORDING TO THE LABELS.
SEE THAT THERE IS NO MECHANICAL TENSION APPLIED.
7. REPLACE THE TILE.