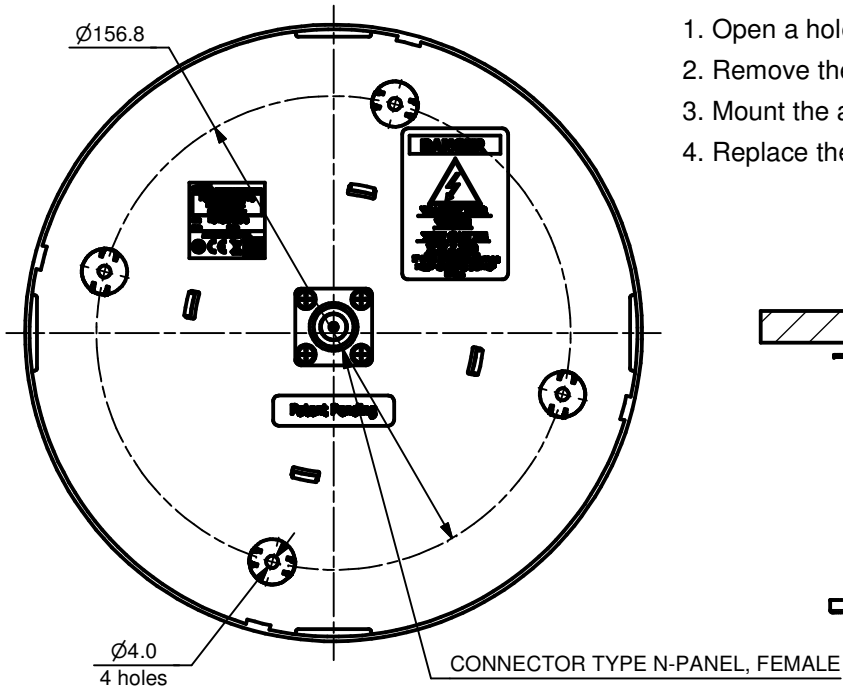


INSTALLATION LAYOUT

Multi Band OMNI Antenna

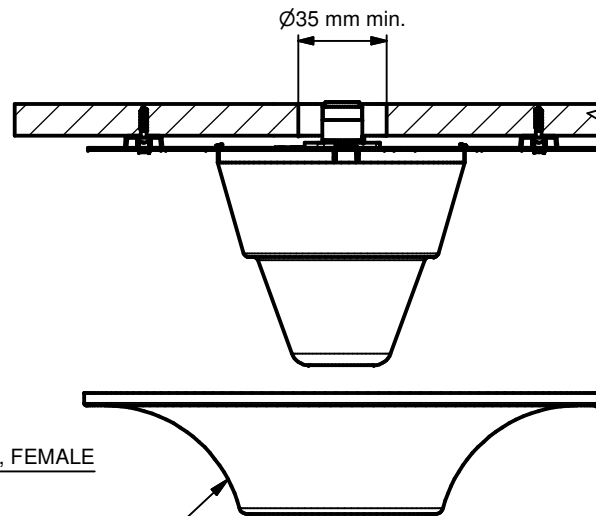
MA-WOLTE-3X

ANTENNAS BOTTOM VIEW



BELOW CEILING MOUNTING

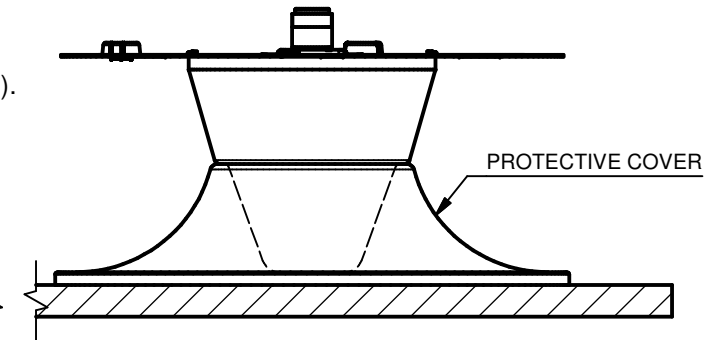
1. Open a hole $\varnothing 35$ mm in the ceiling plate.
2. Remove the protective cover by slightly rotating it.
3. Mount the antenna in place with 4 screws (not supplied).
4. Replace the protective cover.



PROTECTIVE COVER

ABOVE CEILING PLACEMENT

(BOLTING NOT REQUIRED)

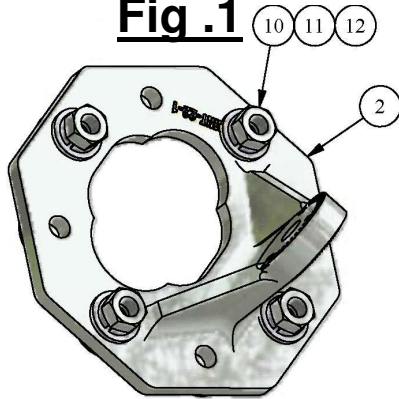


1. Remove the protective cover by slightly rotating it.
2. Place the protective cover on top of the ceiling panel (on the inside) - as shown.
3. Place the antenna on the protective cover, connect the cable and secure it.

English

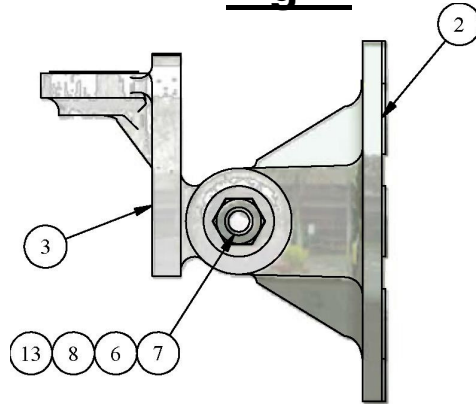
Mounting instructions - Azimuth and Elevation Adjustable Mount MNT-22

Fig .1



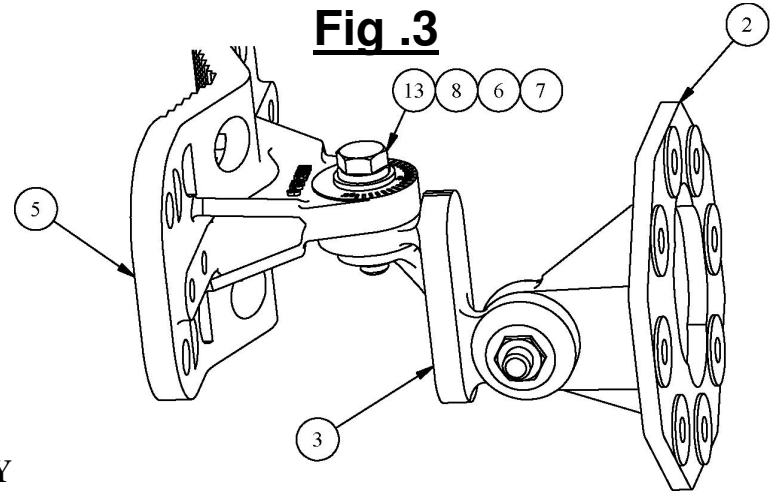
1. Place item No.2 on the antenna, as illustrated in the drawing. Align with the screw holes.
2. Connect item No. 2 to the antenna with spring washers (11), flat washer (10) and nuts (12).
3. Tighten the nuts at a torque of 30 In*Lbs.

Fig .2



4. Connect item No. 3 to item No. 2 ONLY as illustrated in Fig.2, with items 6,7,8,13. Leave screw slightly loose.

Fig .3



5. Connect item No. 3 to item No. 5 as illustrated, with items 6,7,8,13. Leave screw slightly loose.

Fig .5

Wall Mounting

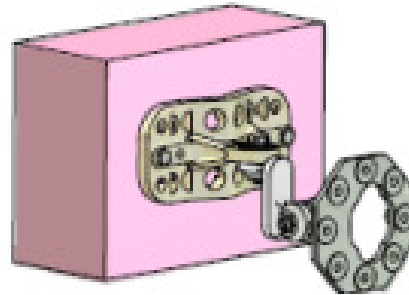
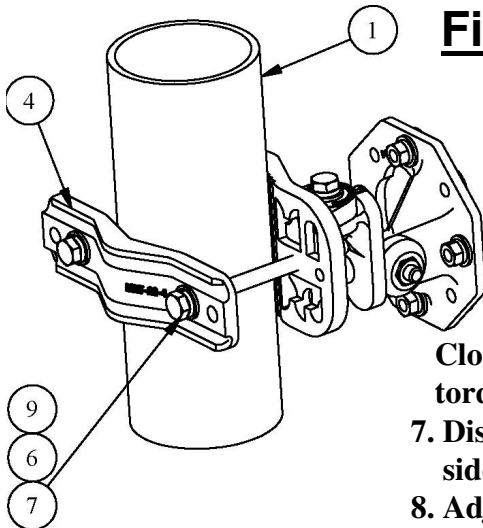


Fig .4



6. Attach items No. 4 and 5 to the pole as illustrated (Fig 4), and connect them using items No. 6, 7, 9. Close screws (9) one and another in turn up to tightening torque of each screw is 30...35 Lbs·In.
7. Distance between ends of items 4, 5 on one and another side must be equal. NO SKEWNESS ALLOWED.
8. Adjust the desired angle, and fully tighten the loose screws (paragraphs 4, 5) at a torque of 30 Lbs·In.

NOTE :

MOUNT MNT-22 SUITABLE FOR POLES n1"-4".

| Parts List | | |
|------------|------|--|
| ITEM | QTY. | DESCRIPTION |
| 1 | 1 | POLE 1"-4" (NOT SUPPLIED) |
| 2 | 1 | MNT-22-1 |
| 3 | 1 | MNT-22-2 |
| 4 | 1 | MNT-22-4 |
| 5 | 1 | MNT-22-3 |
| 6 | 4 | Helical Spring Lock Washer St. St. #5/16 |
| 7 | 4 | Plain Washer St. St. #5/16 |
| 8 | 2 | Hex Cap Screw St. St. NC 5/16-18 x 1.25" |
| 9 | 2 | Hex Cap Screw St. St. NC 5/16-18 x 5" |
| 10 | 4 | Plain Washer St. St. #1/4 |
| 11 | 4 | Helical Spring Lock Washer St. St.#1/4 |
| 12 | 4 | Hex Nut St. St. NC 1/4-20 |
| 13 | 2 | Hex Nut St. St. NC 5/16-18 |