

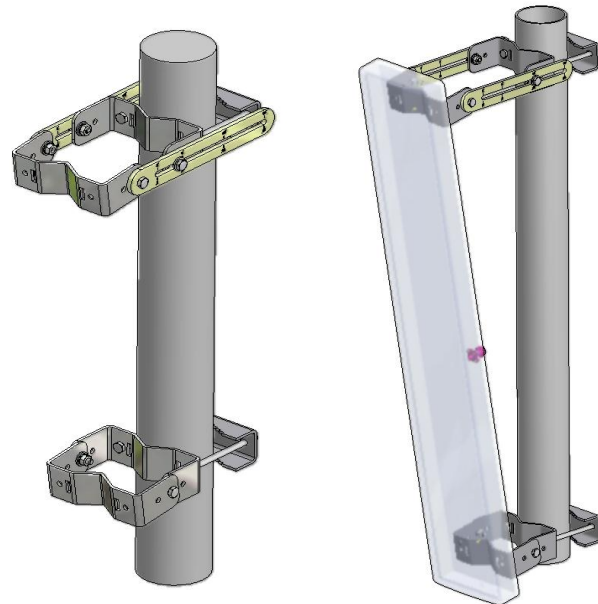
MNT-5A

Mount for Base Station Antennas

MNT-5A Features:

- Elevation Tilt Adjustable Mount for large Base Station Antennas.
- Suitable for pole mounting.
- Made from steel
- Comes with all required hardware in a kit form.
- Heavy duty.

Suitable for 800mm height antennas



Specifications

Mechanical

| | |
|----------------------------------|---|
| Material | STEEL |
| Kit Weight | 1.6 kg. |
| Load | 510 N |
| Suitable for pole diameter range | 1-4" (inch) |
| Movement Possibility | Elevation Tilt $\pm 16^\circ$ with antenna 800x120 mm mounted |

Environmental

| | |
|-----------------------------|---|
| Operating Temperature Range | -40°C to +85°C |
| Vibration | According to IEC 60721-3-4 |
| Flammability | UL94 |
| Ice and Snow | 25 mm radial (survival) |
| Wind Load | 210 km/h |
| Humidity | ETS 300 019-1-4, EN 302 085 (annex A.1.1) |

MARS Antennas & RF Systems proprietary information

MARS reserves the right to make technical changes or modifications to any of its products and specifications without prior notice and without implementing such changes to prior supplied products. Product images are representative and indicative only. Warranty terms and general conditions of sale are applicable on any purchase of any product, available on MARS website.

3 Hamanor st. Holon 5886103, P.O.Box 1852 Holon 5811801, Israel

Tel: +972-3-5599661 • Fax: +972-3-5599677 • e-mail: mars@marsant.co.il • web: www.mars-antennas.com