

MARS Omni Antenna - Mounting Instructions

Fig 1. Connecting Antenna to the Mount (if not factory connected)

Align mounting holes of antenna's base with the holes upon the mount (Item 1).
Fasten Mount to Antenna with 4 screws (Item 6)

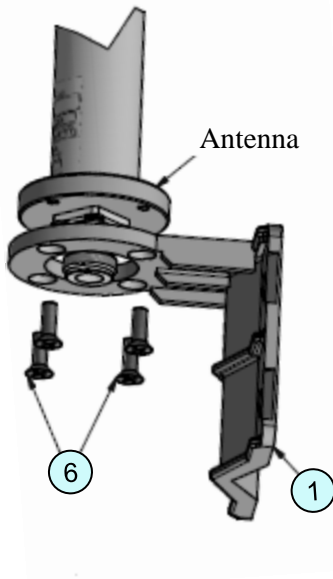


Fig 3. Antenna mounted to the POLE END ONLY.

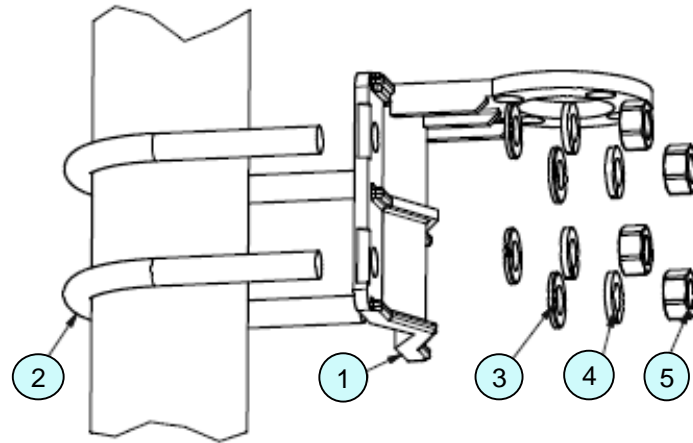


Fig 2. Connecting Mount to the Pole

Place U-bolts (Item 2) and Mount (Item 1) upon the pole.
Insert U-bolts to the Mount holes and fasten it with Items 3,4 and 5.
Recommended fastening torque for each nut:
3.4 N*m (34.5 kg*cm; 30 lb*in)

Parts List		
ITEM	QTY	DESCRIPTION
1	1	MOUNT
2	2	U-Bolt M8x85x57x40 St.St.304
3	4	Flat Washer M8 DIN 125 / ISO 7090 St.St.304
4	4	Lock Washer M8 DIN 127 St.St.304
5	4	Hex Nut M8 DIN 934 / ISO 4032 St.St.304
6	4	8-32 UNCx0.5 Phillips Flat Head Screw St.St.304