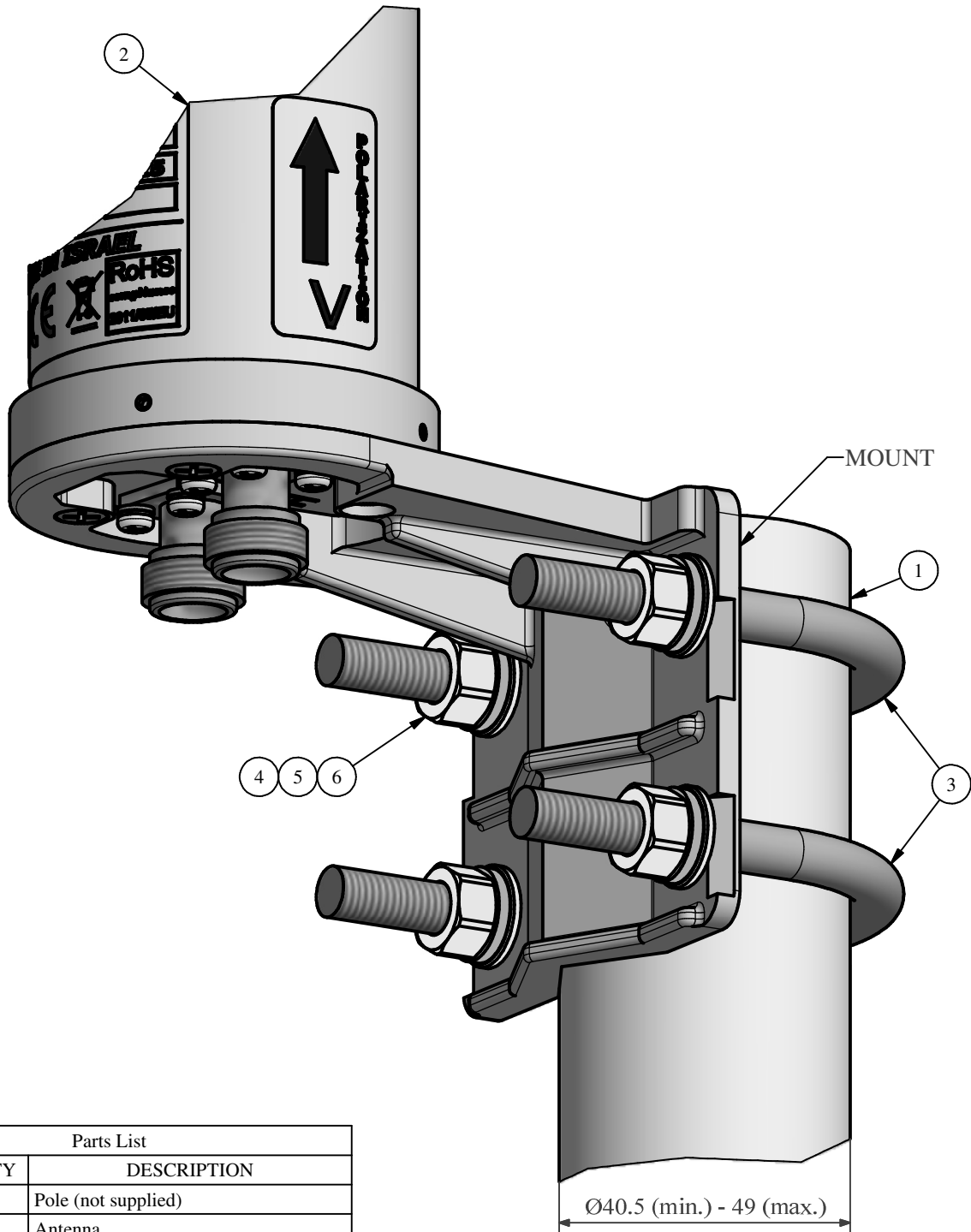


4	3	2	1	1	1
CHNG/REV	DESCRIPTION	ECN No.	DATE	DRAWN	APPROVED

## MOUNTING INSTRUCTION FOR OMNI ANTENNA

1. Put U-bolts item 3 on the pole.
2. Adjust mount of antenna with U-bolts.
3. Close U-bolts with fasteners items 4, 5, 6. Tighten nuts item 6 so they hold antenna.  
(Don't tighten finally.)
4. Adjust antenna as desirable. Evenly tighten nuts item 5 finally.  
Recommended fastening torque for each U-bolt: 6.8 N\*m. So for each nut:  
3.4 N\*m (34.5 kg\*cm; 30 lb\*in).



Parts List

ITEM	QTY	DESCRIPTION
1	1	Pole (not supplied)
2	1	Antenna
3	2	U-Bolt M8x85x57x40 St.St.304
4	4	Flat Washer M8 DIN 125 / ISO 7090 St.St.304
5	4	Lock Washer M8 DIN 127 St.St.304
6	4	Hex Nut M8 DIN 934 / ISO 4032 St.St.304