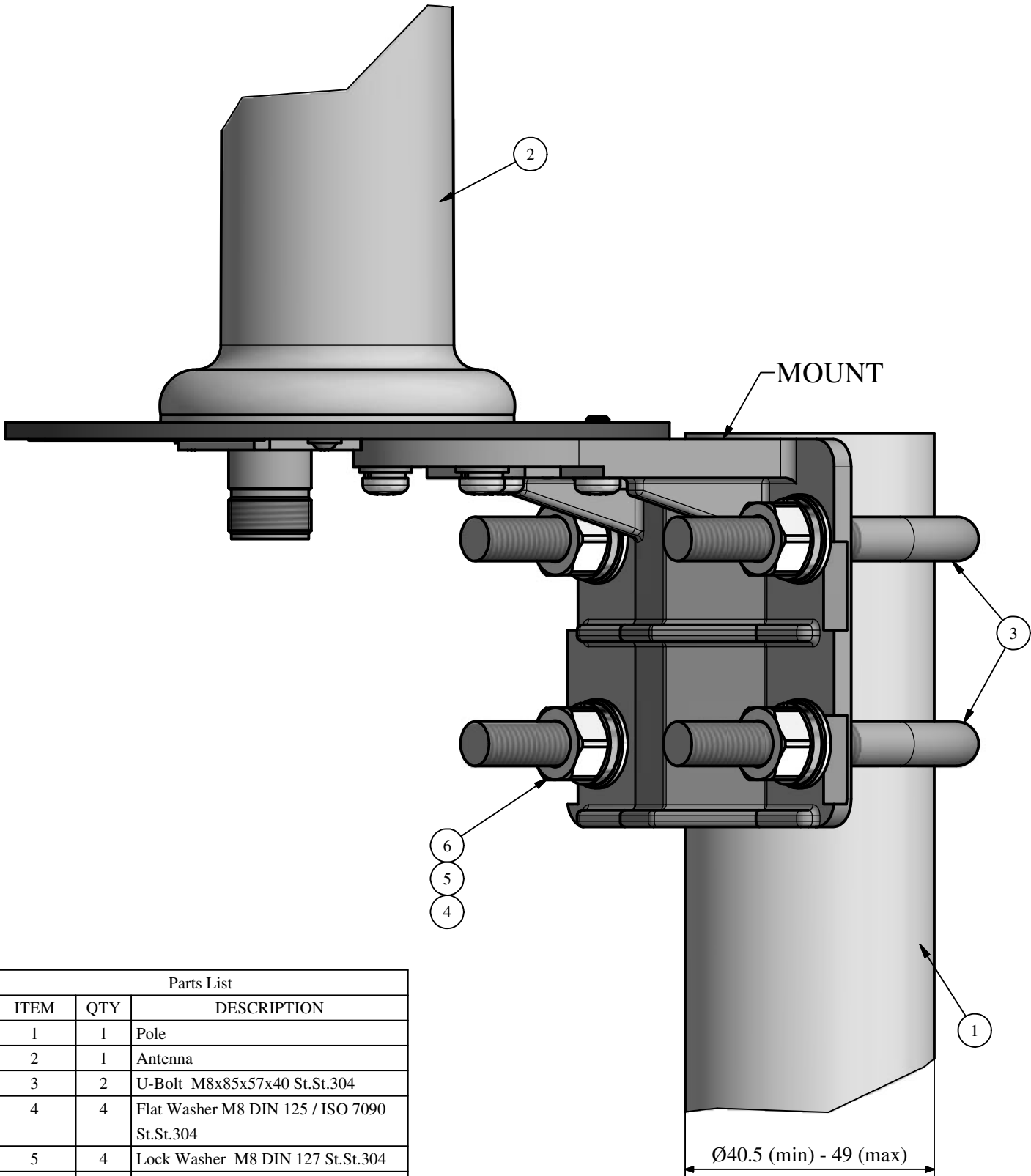


MOUNTING INSTRUCTION FOR ANTENNA MA-WO4760-SISO-R

1. Put U-bolts item 3 on the pole.
2. Adjust mount of antenna with U-bolts.
3. Close U-bolts with fasteners items 4, 5, 6. Tighten nuts item 6 so they hold antenna. (Don't tighten finally.)
4. Adjust antenna as desirable. Evenly tighten nuts item 6 finally.
Recommended fastening torque for each U-bolt: 6.8 N*m. So for each nut: 3.4 N*m (34.5 kg*cm; 30 lb*in).



Parts List

ITEM	QTY	DESCRIPTION
1	1	Pole
2	1	Antenna
3	2	U-Bolt M8x85x57x40 St.St.304
4	4	Flat Washer M8 DIN 125 / ISO 7090 St.St.304
5	4	Lock Washer M8 DIN 127 St.St.304
6	4	Hex Nut M8 DIN 934 / ISO 4032 St.St.304