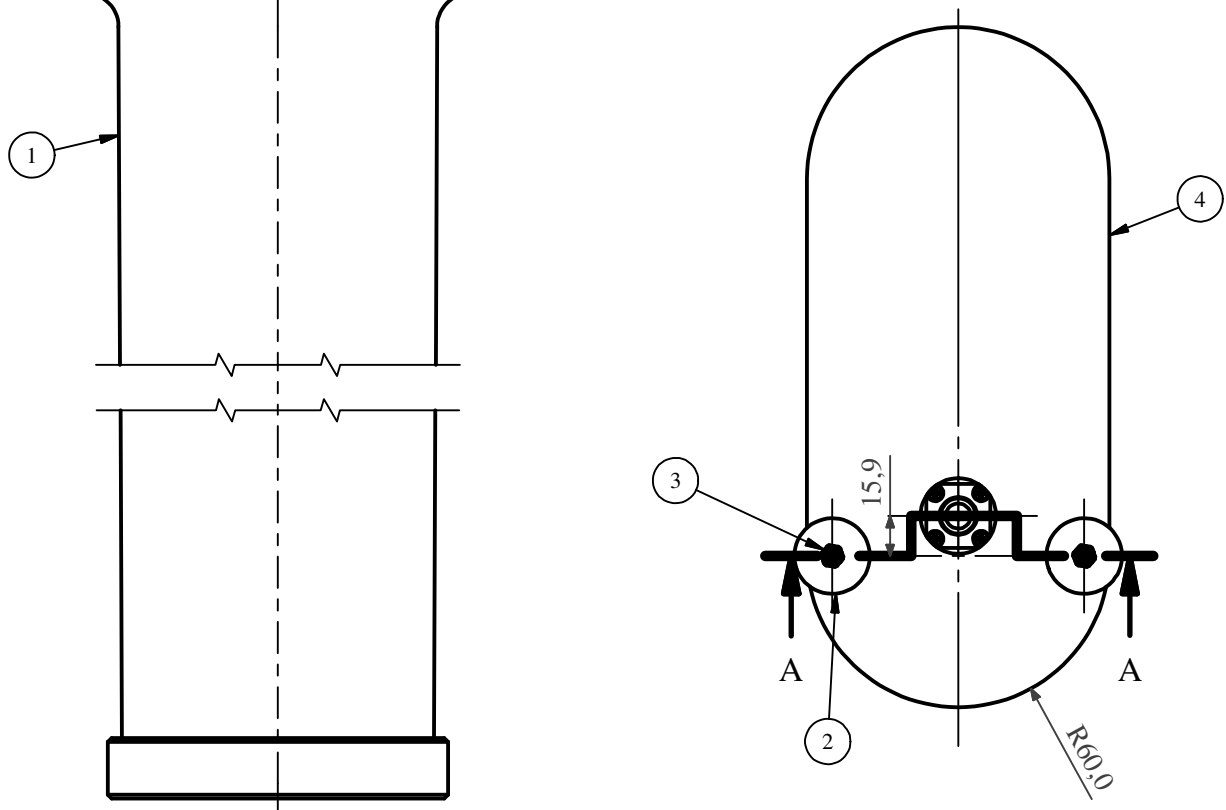


MOUNTING INSTRUCTION

MA-WO3860-SISO

1. Make holes in ceiling panel by template supplied (sheet 2).
2. Align antenna's connector & studs M5 with holes as shown.
3. Insert studs M5 into holes Ø6mm.
4. Put ground plate item 4 on backside of ceiling panel.
5. Fix antenna from backside of ceiling panel with washers & nuts M5 supplied.



Parts List		
ITEM	QTY	DESCRIPTION
1	1	Antenna
2	2	Flat Washer M5x30x1.5 st.st. A2 (304)
3	4	NUT M5 DIN 439 / ISO 4035
4	1	Ground Plane

TEMPLATE FOR HOLES (print 1 : 1 only)

